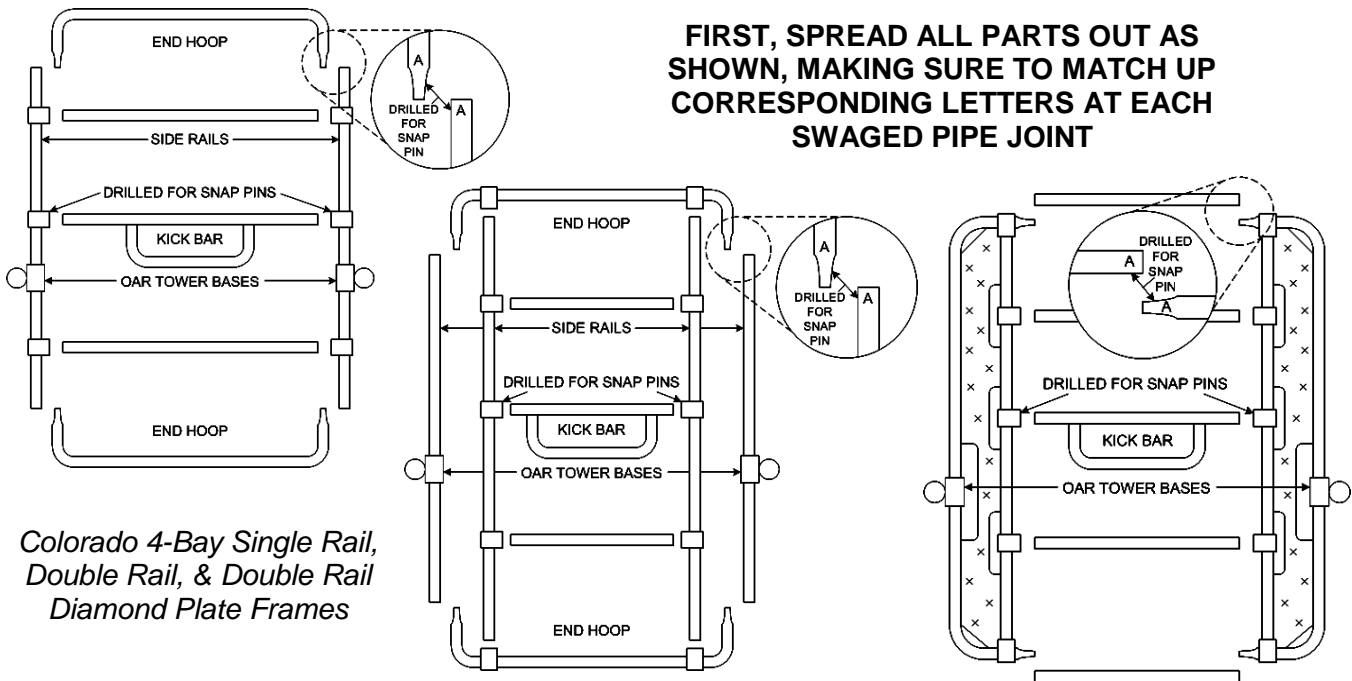


ASSEMBLING YOUR **DOWN RIVER** FISH FRAME

Congratulations on the purchase of your new DRE raft frame. Below are step-by-step instructions on how to put your frame together. Because our frames are individually customized, there may be components of your frame that are not discussed in these instructions. Depending on how your frame was shipped, some components may already be factory installed. If you have any questions while you are assembling your frame, do not hesitate to call us at anytime. Thanks and enjoy the water!



FIRST, SPREAD ALL PARTS OUT AS SHOWN, MAKING SURE TO MATCH UP CORRESPONDING LETTERS AT EACH SWAGED PIPE JOINT

Colorado 4-Bay Single Rail, Double Rail, & Double Rail Diamond Plate Frames

SLIDE EACH CROSSBAR INTO EACH TEE FITTING ON ONE OF THE SIDERAILS, THEN REPEAT WITH THE OTHER SIDE RAIL (DO NOT TIGHTEN)

THE KICKBAR IS DESIGNED TO BE USED IN THE DRILLED FITTINGS FOUND ON THE SIDE RAILS

IF YOUR FRAME HAS A DRE CAPTAIN'S CHAIR MAKE SURE THE CHAIR FITTINGS & COLLARS ARE ON THE CROSSBAR

IF YOUR FRAME HAS A DRE FLIP BRACKET MAKE SURE THE BRACKET & COLLARS ARE INSTALLED ON THE CROSSBAR

FINALLY, INSTALL ONE END HOOP & PIN BOTH JOINTS INTO PLACE / REPEAT ON OTHER SIDE

NEXT, ADJUST BAY OPENINGS

At DRE, we refer to each bay opening by it's inside pipe to inside pipe dimension.

Start at one side of the frame and measure each side of each bay, working to adjust one bay at a time.

Once you've dialed in a bay to the right width, you must tighten the set screw into the side rail using the tips found to the right.

SET SCREW PROTOCOL

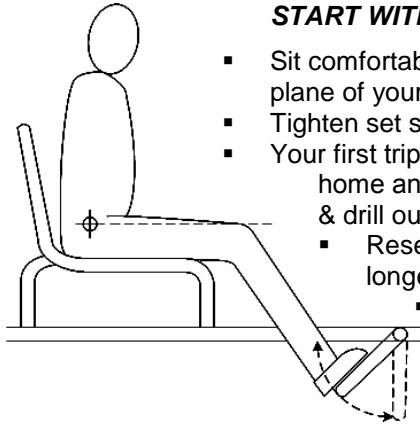
There are little teeth on the bottom of each set screw designed to eat through pipe as it's tightened / Best technique is to tighten>loosen>tighten further etc. 6+ times

Loosening each time will clear the pipe shavings and ensure that your little set screw teeth won't wear down too fast

Every set screw must be tightened to prevent loss of screws and frame malfunction

FITTING YOUR **DOWN RIVER** FISH FRAME

SET THE FRAME UP ON YOUR BOAT OR PROP IT UP USING 5 GAL BUCKETS



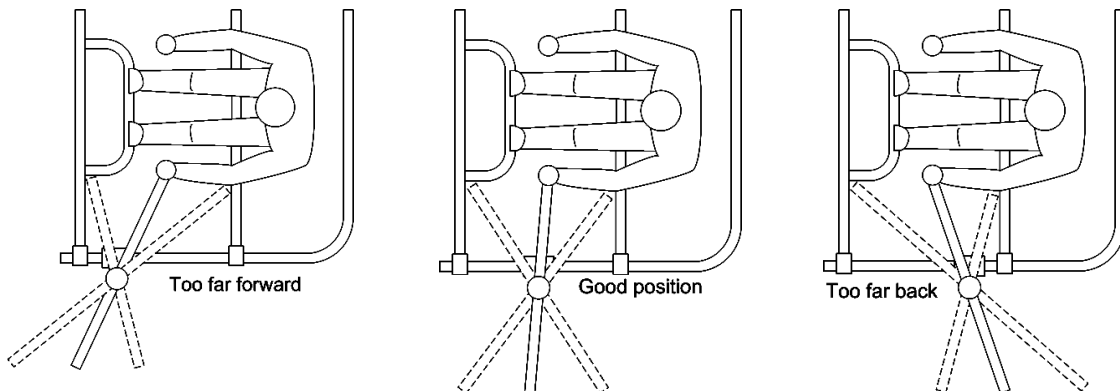
START WITH THE KICKBAR

- Sit comfortably and adjust the kickbar up until your knees are just below the plane of your hips.
- Tighten set screws down on both sides of the kick bar.
- Your first trip out, you'll want to keep the set screws locked down, but once your home and you've determined that you like the angle of the kickbar, go ahead & drill out one of the pre-drilled fittings on the kickbar using a sharp 5/16" bit.
 - Reserve the other pre-drilled fitting for another rower with shorter or longer legs who will require that the kickbar be at a different angle.
 - **REMEMBER!** Drill one side of the pipe and then the other. **DO NOT** try to drill all the way through. Chances are you'll miss.

NEXT

WORK ON THE OAR TOWERS

- Adjust the oar tower base so that the center of the oar tower lines up with the front of the rowers knee cap. (*drawings are not to scale*)
- This is a good starting point before you get out on the water, but the only real way to tell is to row and see the swath your oars cover



FINALLY

CUT YOUR OAR TOWERS DOWN TO AN APPROPRIATE HEIGHT

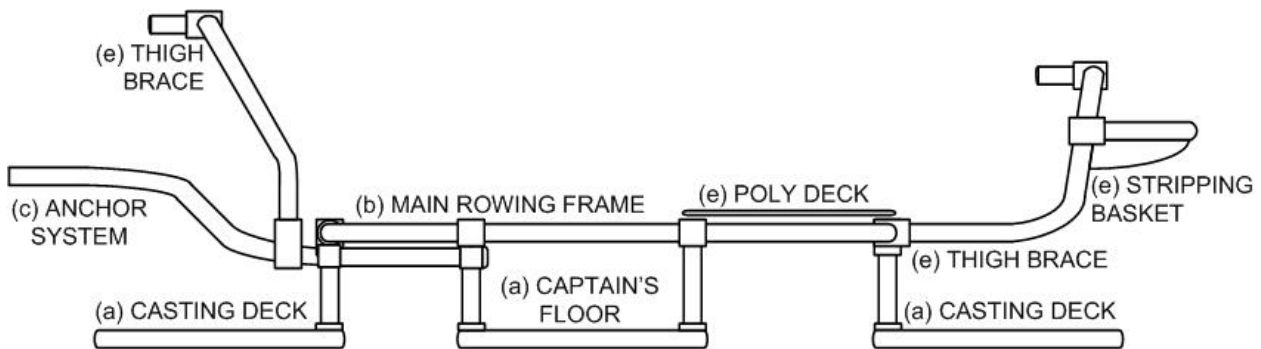
This step comes after you place the stops on your oars, and maybe while you're out on the water for the first time (It's not uncommon to pack a hacksaw with you on the maiden voyage and do the deed on the river bank)

- Your oar towers will seem high at first. Chances are you need to cut a little bit off the bottom of the tower to lower your blade into the water, and keep your hands shoulder high when you row.
- When you chop your towers, take into account that your blade will drop twice the distance that you cut. (Example: If you chop off 1", your blade will drop 2")
- Word to the Wise: Don't cut off too much. Cut a little at a time until you find the perfect height.

RIGGING YOUR *DOWN RIVER* FISH FRAME

WHEN INSTALLING THE FRAME ON YOUR BOAT FOR THE FIRST TIME, TRY FOLLOWING THESE STEPS

- a) Slide the Floors in to begin with. Make sure to match up the floor with the cutout with the raft's floor valve. Threading the strap's buckle in the bow and stern through the floor's cutout in the front will prevent headaches as you continue.
- b) Set the Main Rowing Frame on top, but don't pin or set anything in place yet.
- c) Slide the Anchor System into the Main Rowing Frame (might be two person job).
- d) Go ahead and pin and set all components.
- e) Finally, install the thigh braces, poly deck, stripping basket, and any other accessories you might have. Straps must be installed to the rear pipe of the Anchor System and elbows of the Front Thigh Brace to ensure that these pieces are secure during your trip.



All fishing components are easily removable

**You can still take on heavier whitewater trips with your Main Rowing Frame,
Captain's Floor, and Poly Deck** (all other fixtures should be removed)

HAPPY BOATING!

DOWN RIVER